

SUBMITTAL: 1400 SERIES AED CABINET

Description: 1400 Series is designed to accommodate all Automated External Defibrillators (AED's) on the market today, with all except surface-mounted models, ADAC-Compliant . Select from steel, stainless steel or aluminum construction.

Trim Construction: #4 brushed stainless steel, clear anodized aluminum or CRS with white powder-coat finish. 1-3/4" trim on face.

Door: Formed door with 1-3/4" trim, mounted in a 5/8" door stop with zinc-plated handle and roller catch and continuous hinge. View AED through a clear acrylic window. Standard AED Graphics included.

Alarm: 85 db Commander (audible) alarm standard.

Trim Style & Depth: *Recessed* – 3/8" flat trim, *Semi-Recessed* – 1-1/2" square edge or 3" rolled edge. *Surface-mount* has a square edge.

Tub: White powder-coated CRS except for aluminum and stainless surface-mounted models. Fire-rated available - [See Separate Submittal](#)



1413F12SA " Surface-Mounted Cabinet With

STEP 1: SELECT MODEL NUMBER AND QUANTITY ON CHART (refer to chart below)

- A. Determine Trim Style according to wall depth.
- B. Determine Tub I.D. according to size most suited for extinguisher and wall opening.

STEP 2: SELECT DOOR STYLE WITH HANDLE

Check one box below



- | | |
|--|--|
| <input type="checkbox"/> F12 Full Glazing & Pull | <input type="checkbox"/> S21 Solid Door & Pull |
| <input type="checkbox"/> G12 Full Glazing with SAF-T-LOK™ & Pull | <input type="checkbox"/> L22 Solid with SAF-T-LOK™ & Pull |
| <input type="checkbox"/> D12 Horizontal Duo Panel & Pull | <input type="checkbox"/> V12 Vertical Duo & Pull |
| <input type="checkbox"/> E12 Horizontal Dual Panel with SAF-T-LOK™ & Pull | <input type="checkbox"/> W 12 Vertical Duo with SAF-T-LOK™ & Pull |

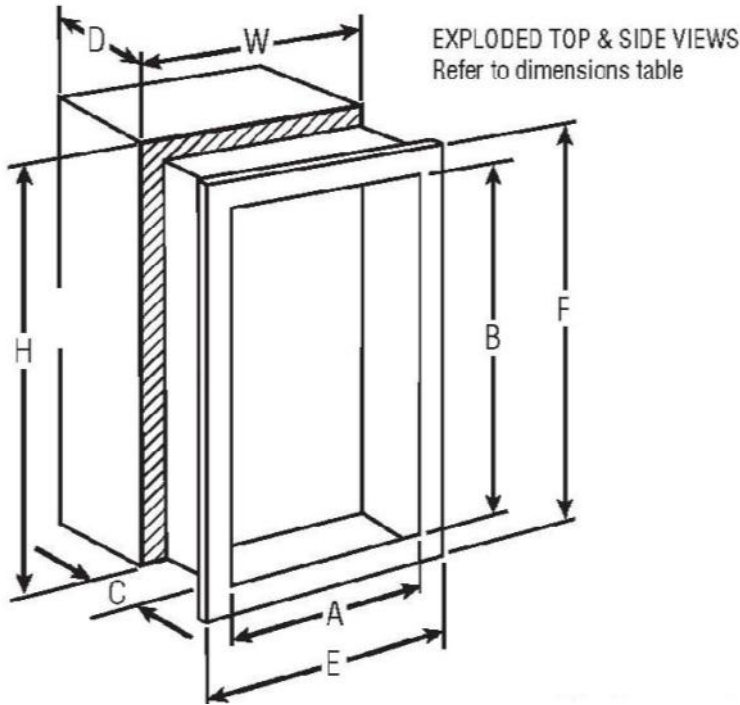


1436F12 Semi-Recessed Cabinet in Stainless Steel with 1-1/2" Square Trim

Optional Features at Additional Cost:

- | | |
|--|--|
| <input type="checkbox"/> (SA) Siren Strobe Alarm and 85 db Alarm (3" Trim & Surface-Mount Models Only) | <input type="checkbox"/> Bronze or Brass Finish Contact Customer Service |
| <input type="checkbox"/> (14STC) Saf-T-Clasp for Visual Notification When Door has been opened | <input type="checkbox"/> (14MAG) Magnetic Door Contact for Existing Alarm Systems |
| <input type="checkbox"/> Custom Door Graphics available—company logos, photos, etc. Contact C. S. | <input type="checkbox"/> (14RR) Roller Reed Ball Contact for Existing Alarm Systems |
| <input type="checkbox"/> AED Wall Signs - See Separate Submittal | <input type="checkbox"/> Custom Colors (Provide Paint Chip) Contact Customer Service |
| <input type="checkbox"/> Optional Colors View Optional Colors Online Contact Customer Service | <input type="checkbox"/> Optional Tub Color: ___ Black ___ Red |
| <input type="checkbox"/> Optional Anodized Aluminum Finishes View Finishes Online | <input type="checkbox"/> Optional Tub Material ___ Stainless ___ Aluminum |
| <input type="checkbox"/> Optional Stainless Steel Finishes View Finishes Online | <input type="checkbox"/> Etched or Engraved Lettering in Glass or Metal |
| <input type="checkbox"/> Optional Rolled Edge Surface Mount (1419) (1439) | <input type="checkbox"/> Recessed Pull, Pulls in Other Finishes , Lever Handle |

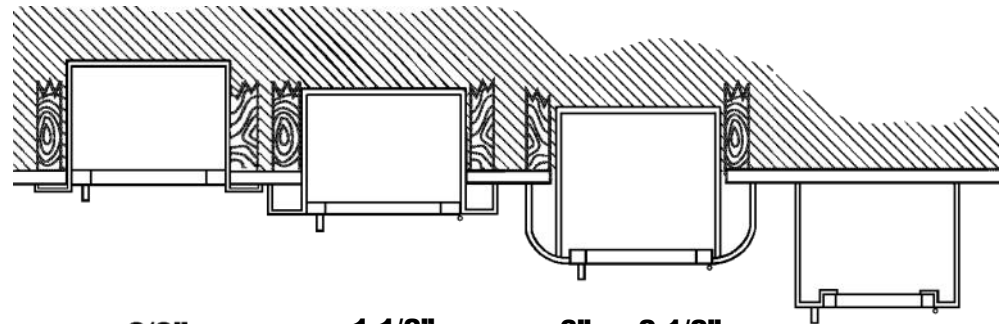
 JL INDUSTRIES	 ACTIVAR INC. <small>www.activarcpg.com</small> Construction Products Group	Distributor:	Quantity:
		Contractor:	Approved By:
		Model #:	Architect:
		Project:	Date:
<p>HEADQUARTERS & JL INDUSTRIES: 4450 WEST 78TH ST CIRCLE, BLOOMINGTON, MN 55435-5416 PH: 800-554-6077 FAX: 952-835-2218 EMAIL: SALES@JLINDUSTRIES.COM WWW.ACTIVARCPG.COM</p> <p>ACPG SOUTHEAST (THOMAS ENTERPRISES): FT MYERS, FL ACPG WAREHOUSES: COMMERCE CA (SAMSON MFG), DALLAS TX, LANCASTER PA, ATLANTA GA , Seattle WA 4-25-2013</p>			



1417 3" Rolled Edge Recessed



1419SA with Custom Graphics & Optional Color



3/8"
Flat Trim

1-1/2"
Square Trim

3" or 2-1/2"
 Rolled Edge

Surface Mount
Square Trim

TRIM & DOOR MATERIAL & SERIES #							TUB I.D.			FRAME O.D.		WALL OPENING		
QTY	STEEL	QTY	ALUMINUM	QTY	STAINLESS STEEL	TRIM STYLE	A	B	C	E	F	W	H	D
	1415		1425		1435	3/8" Flat Trim	14"	14"	6-3/4"	17-3/8"	17-3/8"	15-1/4"	15-1/4"	6-1/2"
	1416		1426		1436	1-1/2" Square	14"	14"	6-3/4"	17-3/8"	17-3/8"	15-1/4"	15-1/4"	5-7/8"
	1417		*1427		1437	3" or 2-1/2" Rolled	14"	14"	6-3/4"	17-3/8"	17-3/8"	15-1/4"	15-1/4"	3-3/4"
	1413 Sq Edge		1423 Sq. Edge		—	Surface Mounted	17-3/16"	17-3/16"	7"	17-3/8"	17-3/8"	—	—	—
	1419 Rolled Edge		—		1439 Rolled Edge	Surface Mounted	17-3/16"	17-3/16"	7"	17-3/8"	17-3/8"	—	—	—

* Model 1427 has 2-1/2" Trim & Requires 5/8" Deeper Wall Opening