

SUBMITTAL: 1400 FX SERIES - FIRE-RATED AED CABINET

Description: 1400 Fire-Rated Cabinet Series is designed to accommodate all Automated External Defibrillators (AED's) on the market today, with all of our models except surface-mounted, ADAC-Compliant. Select from steel, stainless steel or aluminum construction.

Trim Construction: #4 brushed stainless steel, clear anodized aluminum or CRS with white powder-coat finish. 1-3/4" trim on face.

Door: Formed door with 1-3/4" trim, mounted in a 5/8" door stop with zinc-plated handle and roller catch and continuous hinge. View AED through a clear acrylic window with graphics.

Alarm: 85 db Commander (audible) alarm standard.

Trim Style & Depth: *Recessed* – 3/8" flat trim, *Semi-Recessed* – 1-1/2" square edge or 3" rolled edge. **Tub:** The double tub is constructed of cold rolled steel with white powder-coat finish standard. Fire-resistant material is sandwiched between the layers of steel.

Fire-Rating: The recessed and semi-recessed Fire-FX™ cabinets are fabricated in accordance with the Warnock Hersey label for one and two hour combustible and non-combustible wall system building codes. The fire testing has met the requirement of the UBC standard 43-6 and ASTM-E 814-83 for membrane and penetration firestops. Installation instructions must be strictly adhered to in order to obtain the fire rating. The installation of any fire-rated cabinet which lacks a cabinet door or a condition in which the door is left ajar, will void the fire rating.



1417F12FX
Semi-Recessed Cabinet
with 3" Rolled Trim

STEP 1: SELECT MODEL NUMBER AND QUANTITY ON CHART (refer to chart below)

- A. Determine Trim Style according to wall depth.
- B. Determine Tub I.D. according to size most suited for extinguisher and wall opening.

STEP 2: SELECT DOOR STYLE WITH HANDLE

<input type="checkbox"/> F12 Full Glazing & Pull	<input type="checkbox"/> S21 Solid Door & Pull
<input type="checkbox"/> G12 Full Glazing with SAF-T-LOK™ & Pull	<input type="checkbox"/> L22 Solid with SAF-T-LOK™ & Pull
<input type="checkbox"/> D12 Horizontal Duo Panel & Pull	<input type="checkbox"/> V12 Vertical Duo & Pull
<input type="checkbox"/> E12 Horizontal Dual Panel with SAF-T-LOK™ & Pull	<input type="checkbox"/> W 12 Vertical Duo with SAF-T-LOK™ & Pull



Check one box below

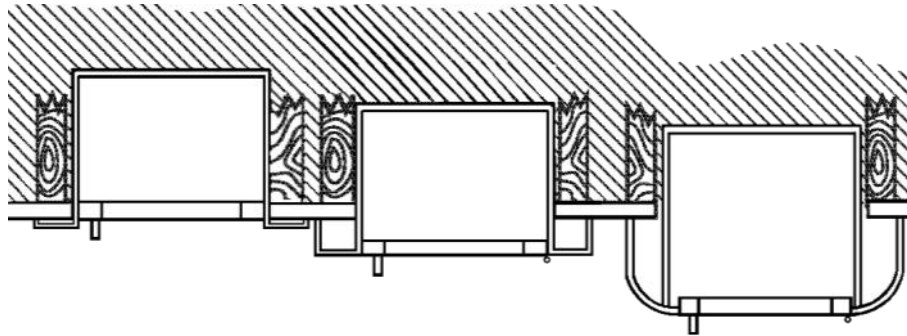
Optional Features at Additional Cost:

<input type="checkbox"/> (SA) Siren Strobe Alarm and 85 db Alarm (3" Trim Models Only)	<input type="checkbox"/>
<input type="checkbox"/> (14STC) Saf-T-Clasp for Visual Notification When Door has been opened	<input type="checkbox"/> (14MAG) Magnetic Door Contact for Existing Alarm Systems
<input type="checkbox"/> Custom Door Graphics available—company logos, photos, etc. Contact C. S.	<input type="checkbox"/> (14RR) Roller Reed Ball Contact for Existing Alarm Systems
<input type="checkbox"/> AED Wall Signs - See Separate Submittal	<input type="checkbox"/> Custom Colors (Provide Paint Chip) Contact Customer Service
<input type="checkbox"/> Optional Colors View Optional Colors Online Contact Customer Service	<input type="checkbox"/> Optional Tub Color: ___ Black ___ Red
<input type="checkbox"/> Optional Anodized Aluminum Finishes View Finishes Online	<input type="checkbox"/> Optional Tub Material ___ Stainless
<input type="checkbox"/> Optional Stainless Steel Finishes View Finishes Online	<input type="checkbox"/> Etched or Engraved Lettering in Glass or Metal
<input type="checkbox"/> Bronze or Brass Finish Contact Customer Service	<input type="checkbox"/> Recessed Pull, Pulls in Other Finishes , Lever Handle

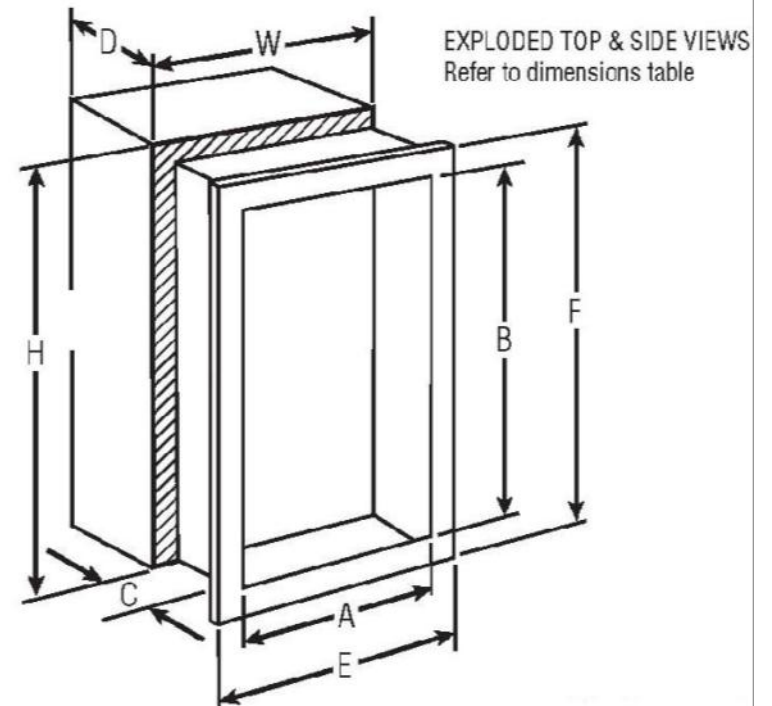
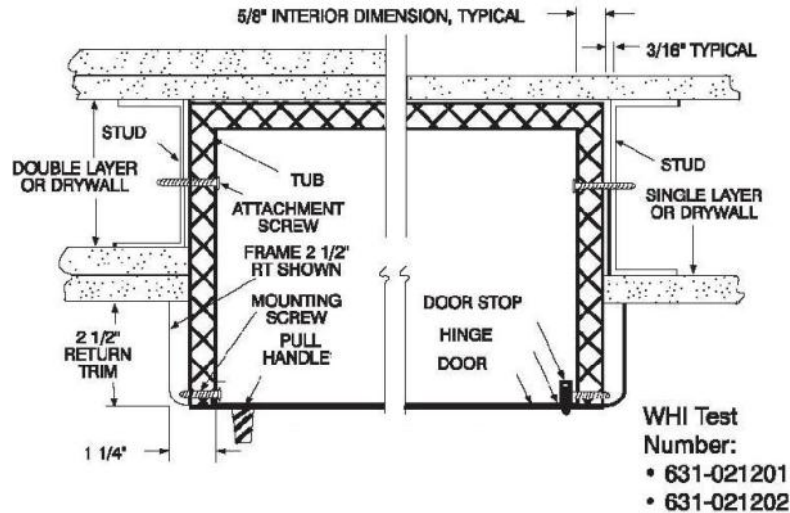


1435F12FX Fully-Recessed
Cabinet with Flat Trim

 JL INDUSTRIES	 ACTIVAR <small>INC. Construction Products Group</small>	Distributor:	Quantity:	
			Contractor:	Approved By:
			Model #:	Architect:
			Project:	Date:
<p>HEADQUARTERS & JL INDUSTRIES: 4450 WEST 78TH ST CIRCLE, BLOOMINGTON, MN 55435-5416 PH: 800-554-6077 FAX: 952-835-2218 EMAIL: SALES@JLINDUSTRIES.COM WWW.ACTIVARCPG.COM</p> <p>ACPG SOUTHEAST (THOMAS ENTERPRISES): FT MYERS, FL ACPG WAREHOUSES: COMMERCE CA (SAMSON MFG), DALLAS TX, LANCASTER PA, ATLANTA GA, SEATTLE WA 2-20-2013</p>				



3/8" Flat Trim 1-1/2" Square Trim 3" or 2-1/2" Rolled Edge



Double Wall Construction with Fire-Resistant Liner Shown at Left

TRIM & DOOR MATERIAL & SERIES #							TUB I.D.			FRAME O.D.		WALL OPENING FIRE RATED OPTION		
QTY	STEEL	QTY	ALUM.INUM	QTY	STAINLESS STEEL	TRIM STYLE	A	B	C	E	F	W	H	D
	1415FX		1425FX		1435FX	3/8" Flat Trim	14"	14"	6-3/4"	17-3/8"	17-3/8"	16-7/8"	16-7/8"	7-5/8"
	1416FFX		1426FX		1436FX	1-1/2" Square	14"	14"	6-3/4"	17-3/8"	17-3/8"	16 7/8"	16 7/8"	6 1/2"
	1417FX		1427FX*		1437FX	3" or 2 1/2" Rolled	14"	14"	6-3/4"	17-3/8"	17-3/8"	16 7/8"	16 7/8"	4 3/4"

* Model 1427 has 2-1/2" Trim & Requires 5/8" Deeper Wall Opening