

SUBMITTAL: AMBASSADOR™ STEEL FX2™ FIRE-RATED EXTINGUISHER CABINETS

The Ambassador Series is a Durable, Attractive Steel Cabinet with Powder-coat Finish that Stands up to Conditions in Commercial Buildings.

Door & Trim Construction: Cold rolled steel with white powder-coated finish standard. Flush cabinet doors with a 5/8" door stop are attached by a continuous hinge and equipped with zinc-plated handle and roller catch. All models have 1-3/4" wide trim on frame and 1-1/4" trim on doors with glazing.

Trim Style & Depth: *Trimless Recessed* -See separate submittal, *Recessed 3/8"* flat trim, *Semi Recessed* - 1-1/4", 1-1/2" Square Edge or 2-1/2", 3", 4", 4-1/2" Rolled Edge (4" has Flush pull).

Tub: The tub is constructed of cold rolled steel with white powder-coat finish standard. Tub forms a flange to cover cut edges of wallboard material. Fire-resistant material is attached to the exterior of the tub. **Please note that dimensions for wall opening have changed for the new FX2 design. See Chart on pg 2.**

Fire-Rating: Fire-FX2™ cabinets are fabricated in accordance with the UL label for one and two hour combustibile and non-combustibile wall system building codes. The fire testing has met the requirement of ANSI/UL 1479 (ASTM –E814) and ULC/CAN S115 for membrane and penetration firestops. Installation instructions must be strictly adhered to in order to obtain the fire rating.



1017V10FX2
3" Rolled Trim

8116F10FX2
1-1/2" Square Trim
Semi-Recessed

STEP 1: SELECT MODEL NUMBER AND QUANTITY ON CHART (refer to chart on pg 2)

A. Determine Trim Style according to wall depth. B. Determine Tub I.D. according to size most suited for extinguisher and wall opening.

STEP 2: SELECT DOOR STYLE WITH HANDLE

Check one box below - See Examples on Page 2

- F Full Glazing
- G Full Glazing with SAF-T-LOK™
- D Horizontal Duo Panel
- E Horizontal Dual Panel with SAF-T-LOK™
- S21 Solid Door

- L22 Solid with SAF-T-LOK™
- L24 Sold with Cylinder Lock - No Handle
- V Vertical Duo
- W Vertical Duo with SAF-T-LOK™
- B Solid with 2" x 4" View Window & SAF-T-LOK™

BIM Objects for REVIT® Platform

STEP 3: SELECT DOOR GLAZING

- 10 Clear Acrylic
- 13 Clear Wire Glass with Safety Film

- 15 Bronze Acrylic
- 16 Gray Acrylic

- 17 Clear Tempered Glass
- 18 Laminated Safety Glass

(Check one box below)

STEP 4: OPTIONAL FEATURES AT ADDED COST (SELECT ANY)

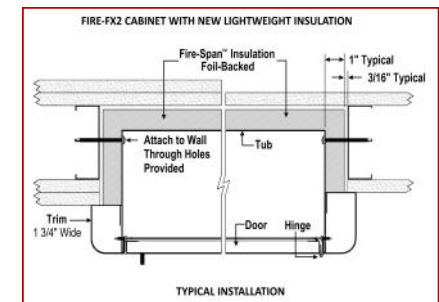
- Optional Tub Color: ___ Black ___ Red
- Futura "Fire" Pull ___ Mill Alum ___ Red ___ White
- Flush Pull Handle
- Polished Chrome Lever Handle (P6)
- Optional Colors: ___ Red ___ Black ___ Flat Black
- ___ Sand ___ AMS Beige ___ SC Flat Beige
- ___ Gray Primer ___ Bronze ___ Silver

- Black Vertical FE Letters LDCVBF E
- Red Vertical FE Letters LDCVRF E
- White Vertical FE Letters LDCVWF E
- Black Horizontal FE Letters LDCHBF E
- Red Horizontal FE Letters LDCHRF E
- White Horizontal FE Letters LDCHWF E

- Black Vertical Decal LDVBF E
- Red Vertical Decal LDVRF E
- White Vertical Decal LDVWF E
- Black Horizontal Decal LDHBF E
- Red Horizontal Decal LDHRF E
- White Horizontal Decal LDHWF E

- (MC) Magnetic Catch—Replaces Roller Catch
- Optional Lock for G, E, W, L22, B: _____
- (CA) Commander Alarm
- (BA) Brigadier Alarm
- Etched/Engraved Letters in Glass/ Metal- Attach Sub.

For More Information on Options See Other Submittals: [Decals/Die Cuts & Wall Signs](#), [More Alarm Information](#)



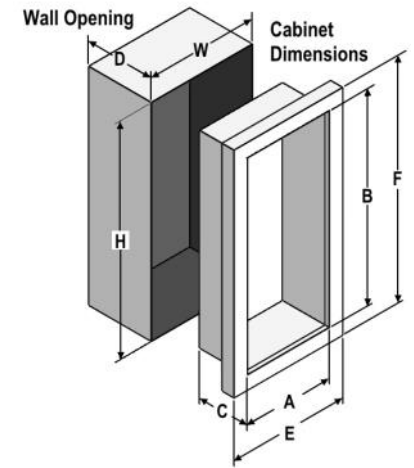
 ACTIVAR INC. <small>CONSTRUCTION PRODUCTS GROUP</small> AMBASSADOR™ IS A TRADEMARK OF ACPG DOWNLOAD CURRENT SUBMITTAL BEFORE ORDERING	Distributor:	Quantity:
	Contractor:	Approved By:
	Model #:	Architect:
	Project:	Date: © 2017 Activar Construction Products Group, Inc

SUBMITTAL: AMBASSADOR FX2 FIRE-RATED EXTINGUISHER CABINETS PLEASE NOTE CHANGES IN WALL OPENING P 2 OF 2

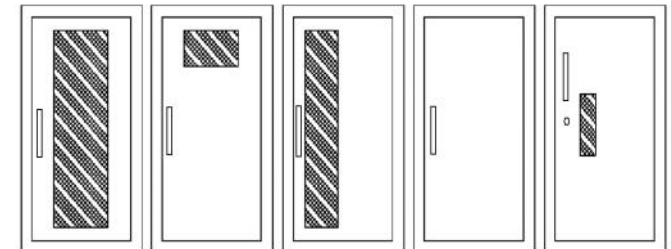
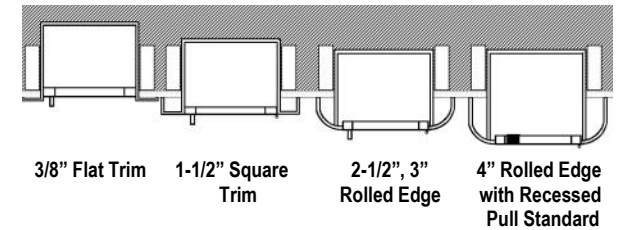
TRIM & DOOR SERIES #			Tub I.D.			Frame O.D.		FX Wall Opening New Dimensions in 2015 - Please Note!			Fits Extinguishers View Submittal
QTY	Model	Trim Style	A	B	C	E	F	W	H	D	
	8115	Flat 3/8" Trim ●	9	18	5 1/2	12 3/8	21 3/8	11 5/16	20 5/16	6 7/16	Cosmic & Galaxy 2 1/2-6 (6 lb must be mounted to tub back) Mercury 2 1/2 & 5
	8116	1 1/2 Square ●	9	18	5 1/2	12 3/8	21 3/8	11 5/16	20 5/16	5 3/16	
	8117	2 1/2 Rolled ●	9	18	5 1/2	12 3/8	21 3/8	11 5/16	20 5/16	4	
	1710	2-1/4 Square ●	10 1/2	24	5	13 7/8	27 3/8	12 13/16	26 5/16	4	Cosmic/Gal/Merc 2-5
	1815	Flat 3/8" Trim ●	10 1/2	24	5 1/2	13 7/8	27 3/8	12 13/16	26 5/16	6 7/16	Cosmic & Galaxy 2 1/2-6 (6lb must be mounted to tub back) Mercury 2 1/2-5
	1816	1 1/2 Square ●	10 1/2	24	5 1/2	13 7/8	27 3/8	12 13/16	26 5/16	5 3/16	
	1817	3 Rolled ●	10 1/2	24	5 1/2	13 7/8	27 3/8	12 13/16	26 5/16	3 5/8	
	1812	4 Rolled/Flush Pull ●	10 1/2	24	5 1/2	13 7/8	27 3/8	12 13/16	26 5/16	2 7/8	
	1818	4 1/2 Rolled	10 1/2	24	5 1/2	13 7/8	27 3/8	12 13/16	26 5/16	2 3/16	
	1015	Flat 3/8" Trim ●	10 1/2	24	6	13 7/8	27 3/8	12 13/16	26 5/16	6 15/16	Cosmic & Galaxy 2 1/2 - 10 Sentinel 5 Mercury 2 1/2, 5
	1016	1 1/2 Square ●	10 1/2	24	6	13 7/8	27 3/8	12 13/16	26 5/16	5 11/16	
	1017	3 Rolled ●	10 1/2	24	6	13 7/8	27 3/8	12 13/16	26 5/16	4	
	1012	4 Rolled/Flush Pull ●	10 1/2	24	6	13 7/8	27 3/8	12 13/16	26 5/16	3 3/8	
	1018	4 1/2 Rolled	10 1/2	24	6	13 7/8	27 3/8	12 13/16	26 5/16	2 11/16	
	2015	Flat 3/8" Trim ●	12	27	7 3/4	15 3/8	30 3/8	14 5/16	29 5/16	8 11/16	Any Cosmic or Galaxy (20 lb must be mounted to tub back), Mercury, Saturn or Grenadier P, Sentinel 5 & 10
	2016	1 1/4 Square ●	12	27	7 3/4	15 3/8	30 3/8	14 5/16	29 5/16	7 11/16	
	2017	2 1/2 Rolled ●	12	27	7 3/4	15 3/8	30 3/8	14 5/16	29 5/16	6 7/16	
	2012	4 Rolled/Flush Pull ●	12	27	7 3/4	15 3/8	30 3/8	14 5/16	29 5/16	5 1/8	
	2018	4 1/2 Rolled	12	27	7 3/4	15 3/8	30 3/8	14 5/16	29 5/16	4 7/16	
	3015	Flat 3/8" Trim ●	16	32	7 3/4	19 3/8	35 3/8	18 5/16	34 5/16	8 11/16	Any Cosmic or Galaxy (20 lb must be mounted to tub back), Mercury, Saturn or Grenadier P, Sentinel 5 & 10
	3016	1 1/4 Square ●	16	32	7 3/4	19 3/8	35 3/8	18 5/16	34 5/16	7 11/16	
	3017	2 1/2 Rolled ●	16	32	7 3/4	19 3/8	35 3/8	18 5/16	34 5/16	6 7/16	
	3012	4 Rolled/Flush Pull ●	16	32	7 3/4	19 3/8	35 3/8	18 5/16	34 5/16	5 1/8	
	3018	4 1/2 Rolled	16	32	7 3/4	19 3/8	35 3/8	18 5/16	34 5/16	4 7/16	
	4015	Flat 3/8" Trim ●	20	27	7 3/4	23 3/8	30 3/8	22 5/16	29 5/16	8 11/16	Any Cosmic or Galaxy (20 lb must be mounted to tub back), Mercury, Saturn or Grenadier P, Sentinel 5-15, 272
	4016	1 1/4 Square ●	20	27	7 3/4	23 3/8	30 3/8	22 5/16	29 5/16	7 11/16	
	4017	2 1/2 Rolled ●	20	27	7 3/4	23 3/8	30 3/8	22 5/16	29 5/16	6 7/16	
	4012	4 Rolled/Flush Pull ●	20	27	7 3/4	23 3/8	30 3/8	22 5/16	29 5/16	5 1/8	
	4018	4 1/2 Rolled	20	27	7 3/4	23 3/8	30 3/8	22 5/16	29 5/16	4 7/16	

● Cabinets meet ADA 4" Projection Guidelines

Models shown in **Large Bold** above are available in several door styles for Quick Shipment. [See current Stock](#)



New Lighter, FX2
Insulation



- F - Full glass with pull handle
- G - Full glass with pull handle above Saf-T-Lok (not shown)
- D - Horizontal duo panel with pull handle
- E - Horizontal duo panel with pull handle above Saf-T-Lok (not shown)
- V - Vertical duo panel with pull handle
- W - Vertical duo panel with pull handle above Saf-T-Lok (not shown)
- S21 - Solid with pull handle
- L22 - Solid with pull handle above Saf-T-Lok
- L24 - Solid with cylinder key lock and no handle
- B - Small view window with pull handle, and Saf-T-Lok

ADA Cabinet Mounting Height: Standard Pull on G, E, W, L22 and B Door Styles with Saf-T-Lok are 3 5/8" Higher than Door Center, so Allow for that When Mounting Cabinet. Standard Pull with No Lock or Flush Pull are Centered on Door. [ADA Information](#)

[VIEW ALL DOOR STYLES ONLINE](#)