

# SUBMITTAL: CAVALIER FX FIRE-RATED EXTINGUISHER CABINET

Select the Beauty and Upscale Finish of Bronze or Brass to add a Luxurious” Look to Your Next Project.

**Door and Trim Construction:** Cabinets are available in US 10 satin bronze or US 3 polished brass. Flush cabinet doors with a 5/8" door stop are attached by a continuous hinge and equipped with zinc-plated handle and roller catch.

**Trim Style and Depth:** Recessed - 3/8" flat trim. Semi-Recessed - 1 1/4", 1 1/2" Square Edge or 3" Rolled Edge. Surface-mount has a square edge. 1 3/4" face trim on frame and door.

**Tub:** The double tub is constructed of cold rolled steel with white powder-coat finish standard. Fire-resistant material is sandwiched between the layers of steel.

**Fire-Rating:** The recessed and semi-recessed Fire-FX™ cabinets are fabricated in accordance with the Warnock Hersey label for one and two hour combustibile and non-combustibile wall system building codes. The fire testing has met the requirement of the UBC standard 43-6 and ASTM-E814-83 for membrane and penetration firestops. Installation instructions must be strictly adhered to in order to obtain the fire rating. The installation of any fire-rated cabinet which lacks a cabinet door or a condition in which the door is left ajar, will void the fire rating.



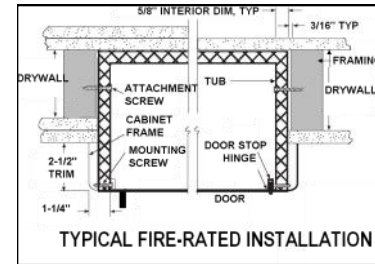
1855S21FX

**STEP 1: SELECT MODEL NUMBER AND QUANTITY ON CHART** (refer to chart on page 2)

A. Determine Trim Style according to wall depth. B. Determine Tub I.D. according to size most suited for extinguisher and wall opening.

**STEP 2: Select Door Style with Pull Below:** (See page 2 to view styles)

- |  |   |  |
|--|---|--|
| <input type="checkbox"/> F Full Glazing                      | <input type="checkbox"/> S21 Solid                                |  |
| <input type="checkbox"/> G Full Glazing & Saf-t-Lok™         | <input type="checkbox"/> L22 Solid & Saf-T-Lok™                   |  |
| <input type="checkbox"/> D Horizontal Duo Panel              | <input type="checkbox"/> L24 Solid with Cylinder Lock & No Handle | <input type="checkbox"/> V Vertical Duo              |
| <input type="checkbox"/> E Horizontal Duo Panel & Saf-T-Lok™ | <input type="checkbox"/> B10 Solid with Glass Insert & Saf-T-Lok™ | <input type="checkbox"/> W Vertical Duo & Saf-T-Lok™ |



1847S21FX

**STEP 3: Select Door Glazing Below**



- |  |  |  |
|--|--|--|
| <input type="checkbox"/> 10 Clear Acrylic    | <input type="checkbox"/> 15 Bronze Acrylic | <input type="checkbox"/> 17 Clear Tempered Glass   |
| <input type="checkbox"/> 13 Clear Wire Glass | <input type="checkbox"/> 16 Gray Acrylic   | <input type="checkbox"/> 18 Laminated Safety Glass |

**Options at Additional Cost (Select Any)**

- |  |   |   |
|--|---|---|
| <input type="checkbox"/> Futura Embossed “Fire” Handle in Mill, White or Red             | <input type="checkbox"/> Engraved Metal Door Lettering (optional colorfill) | <input type="checkbox"/> FE Diecut Letters - Black Vertical   |
| <input type="checkbox"/> ADA Flush Pull  | <input type="checkbox"/> Etched Lettering in Glass                          | <input type="checkbox"/> FE Diecut Letters- Red Vertical      |
| <input type="checkbox"/> Pulls: ___ Brass ___ Bonze ___ US10B                            | <input type="checkbox"/> Bronze Door & Trim: US9 Bright Polished,           | <input type="checkbox"/> FE Diecut Letters - White Vertical   |
| <input type="checkbox"/> <a href="#">Panorama-Style Full Acrylic Door</a> . Style: _____ | <input type="checkbox"/> Bronze Door & Trim: US10B Oil-rubbed               | <input type="checkbox"/> FE Diecut Letters - Black Horizontal |
| <input type="checkbox"/> Optional Color Tub  | <input type="checkbox"/> Brass Door & Trim: US4 Satin                       | <input type="checkbox"/> FE Diecut Letters - Red Horizontal   |
- [View Metal Finishes Here](#)

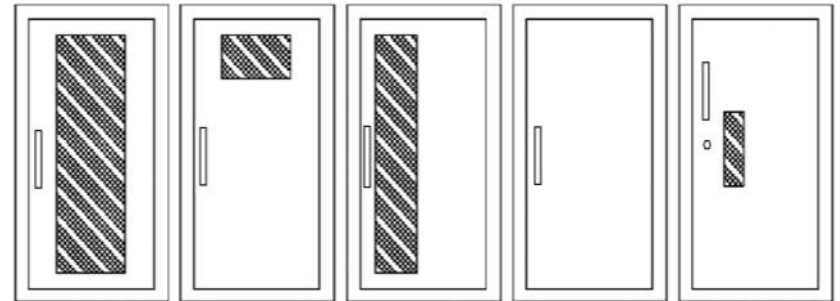
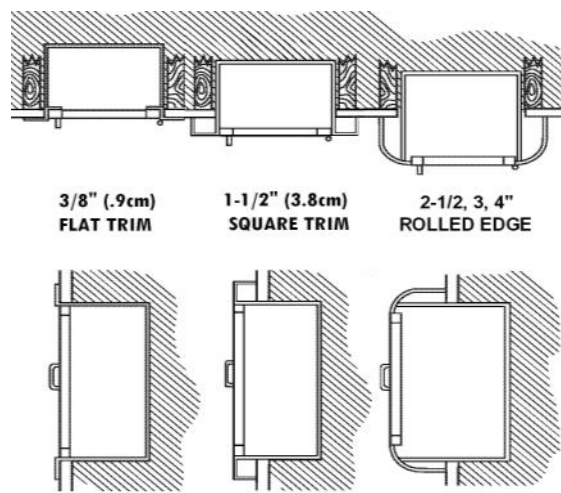
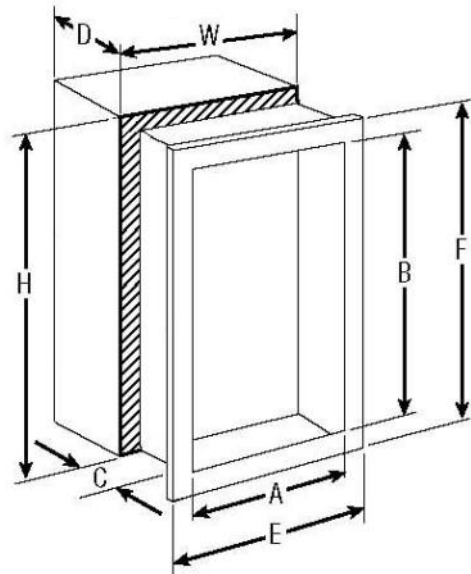
(CA) Commander Alarm

(BA) Brigadier Alarm

 <b>JL INDUSTRIES</b>	 <b>ACTIVAR</b> <small>INC.</small> Construction Products Group <small>www.activarcpg.com</small>	Distributor:	Quantity:
		Contractor:	Approved By:
		Model #:	Architect:
		Project:	Date:

**HEADQUARTERS & JL INDUSTRIES:** 4450 WEST 78<sup>TH</sup> ST CIRCLE, BLOOMINGTON, MN 55435-5416 **PH:** 800-554-6077 **FAX:** 952-835-2218 **EMAIL:** SALES@JLINDUSTRIES.COM WWW.ACTIVARCPG.COM  
**ACPG SOUTHEAST (THOMAS ENTERPRISES):** FT MYERS, FL **ACPG WEST COAST (SAMSON):** COMMERCE, CA **WAREHOUSES:** DALLAS TX, LANCASTER PA, ATLANTA GA, CHICAGO, IL, SEATTLE WA 9/21/12

**SUBMITTAL: CAVALIER FX FIRE-RATED EXTINGUISHER CABINET**



- F - Full glass with pull handle
- G - Full glass with pull handle and Saf-T-Lok
- D - Horizontal duo panel with pull handle
- E - Horizontal duo panel with pull handle and Saf-T-Lok
- V - Vertical duo panel with pull handle
- W - Vertical duo panel with pull handle and Saf-T-Lok
- S21 - Solid with pull handle
- L22 - Solid with pull handle and Saf-T-Lok
- L24 - Solid with cylinder key lock & no handle
- B - Solid with pull handle view window and Saf-T-Lok

Trim and Door Material and Series #					Tub I.D.			Door O.D.			Wall Opening: FX Option			Accommodates Following Extinguishers
QTY	Bronze	QTY	Brass	Trim Style	A	B	C	E	F	W	H	D		
	1845		1855	Flat Trim	10 1/2	24	5 1/2	13 7/8	27 3/8	12 1/2	26 1/8	6 3/8	Cosmic & Galaxy 2 1/2-6 Mercury 2 1/2, 5	
	1846		1856	1 1/2" Square	10 1/2	24	5 1/2	13 7/8	27 3/8	12 1/2	26 1/8	4 7/8		
	1847		1857	3" Rolled	10 1/2	24	5 1/2	13 7/8	27 3/8	12 1/2	26 1/8	3 1/2		
	1045		1055	Flat Trim	10 1/2	24	6	13 7/8	27 3/8	12 1/2	26 1/8	6 7/8	Cosmic & Galaxy 2 1/2-10 Sentinel 5, Mercury 2 1/2, 5	
	1046		1056	1 1/2" Square	10 1/2	24	6	13 7/8	27 3/8	12 1/2	26 1/8	5 3/8		
	1047		1057	3" Rolled	10 1/2	24	6	13 7/8	27 3/8	12 1/2	26 1/8	4		
	2045		2055	Flat Trim	12	27	7 3/4	15 3/8	30 3/8	14	29 1/8	8 1/2	Any **Cosmic, Any **Galaxy, Mercury, Saturn or Grenadier P, Sentinel 5, 10	
	2046		2056	1 1/4" Square	12	27	7 3/4	15 3/8	30 3/8	14	29 1/8	7 3/8		



**2046V10FX**  
**US10B Oil-Rubbed**  
 Finish with **Optional**  
**White Colorfill** lettering

\* Cosmic & Galaxy 20 must be mounted on the back of the cabinet tub.