

SUBMITTAL: CAVALIER FIRE EXTINGUISHER CABINET

Select the Beauty and Upscale Finish of Bronze or Brass to add that “High End” Look to Your Next Project.

Door and Trim Construction: Cabinets are available in US 10 satin bronze or US 3 polished brass. Flush cabinet doors with a 5/8" door stop are attached by a continuous hinge and equipped with zinc-plated handle and roller catch. 1 3/4" face trim on frame and door.

Trim Style and Depth: Recessed - 3/8" flat trim. Semi-Recessed - 1 1/4", 1 1/2" Square Edge or 3" Rolled Edge. Surface-mount has a square edge.

Tub: Constructed of cold rolled steel with white powder-coat finish standard. Surface mount cabinets are the same finish as the trim.

Fire-Rated Option Available: Yes - See Separate Submittal

STEP 1: SELECT MODEL NUMBER AND QUANTITY ON CHART (refer to chart on page 2)

- A. Determine Trim Style according to wall depth.
- B. Determine Tub I.D. according to size most suited for extinguisher and wall opening.

STEP 2: Select Door Style Below: (See page 2)

Door Styles (with handle)

<input type="checkbox"/> F	Full Glazing	<input type="checkbox"/> S21	Solid	<input type="checkbox"/> V	Vertical Duo
<input type="checkbox"/> G	Full Glazing & Saf-t-Lok™	<input type="checkbox"/> L22	Solid & Saf-T-Lok™	<input type="checkbox"/> W	Vertical Duo & Saf-T-Lok™
<input type="checkbox"/> D	Horizontal Duo Panel	<input type="checkbox"/> L24	Solid with Cylinder Lock & No Handle		
<input type="checkbox"/> E	Horizontal Duo Panel & Saf-T-Lok™	<input type="checkbox"/> B10	Solid with Glass Insert & Saf-T-Lok™		



1855V10




1847S21

STEP 3: Select Door Glazing Below

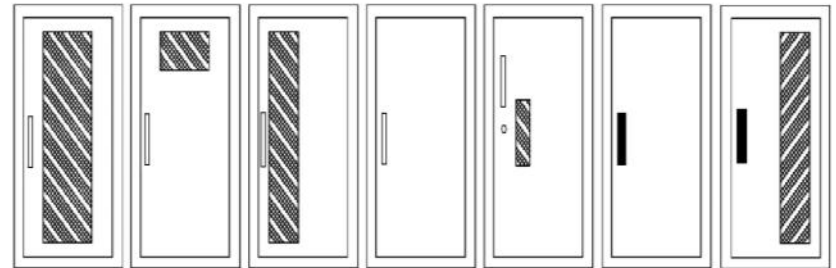
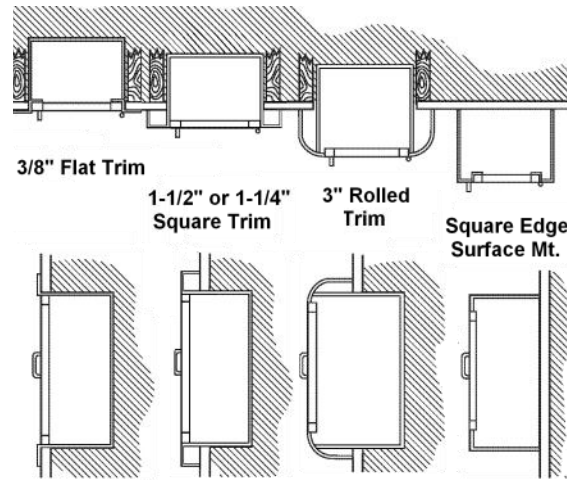
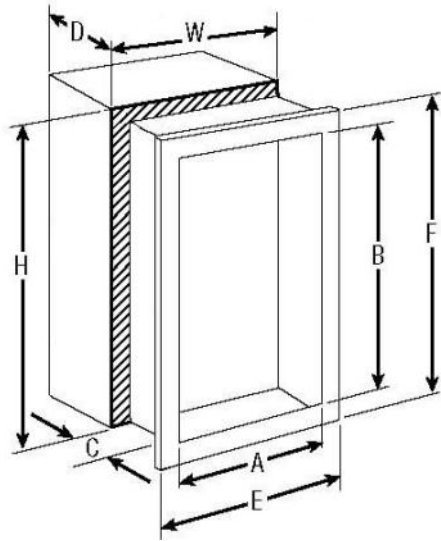
<input type="checkbox"/> 10	Clear Acrylic	<input type="checkbox"/> 15	Bronze Acrylic	<input type="checkbox"/> 17	Clear Tempered Glass
<input type="checkbox"/> 13	Clear Wire Glass	<input type="checkbox"/> 16	Gray Acrylic	<input type="checkbox"/> 18	Laminated Safety Glass

Options at Additional Cost (Select Any)

<input type="checkbox"/> Futura Embossed “Fire” Handle in Mill, White or Red	<input type="checkbox"/> Engraved Metal Door Lettering (optional colorfill)	<input type="checkbox"/> FE Diecut Letters - Black Vertical	View Metal Finishes Here	
<input type="checkbox"/> ADA Flush Pull	<input type="checkbox"/> Etched Lettering in Glass	<input type="checkbox"/> FE Diecut Letters– Red Vertical		
<input type="checkbox"/> Pulls: ___ Brass ___ Bonze ___ US10B	<input type="checkbox"/> Bronze Door & Trim: US9 Bright Polished,	<input type="checkbox"/> FE Diecut Letters - White Vertical		<input type="checkbox"/> (CA) Commander Alarm
<input type="checkbox"/> Panorama-Style Full Acrylic Door Style: _____	<input type="checkbox"/> Bronze Door & Trim: US10B Oil-rubbed	<input type="checkbox"/> FE Diecut Letters - Black Horizontal		<input type="checkbox"/> (BA) Brigadier Alarm
<input type="checkbox"/> Optional Color Tub	<input type="checkbox"/> Brass Door & Trim: US4 Satin	<input type="checkbox"/> FE Diecut Letters - Red Horizontal		<input type="checkbox"/> (SA) Strobe Alarm (surface mt)

 ACTIVAR INC. <small>www.activarcpg.com</small> Construction Products Group	Distributor:	Quantity:
	Contractor:	Approved By:
	Model #:	Architect:
	Project:	Date:

HEADQUARTERS & JL INDUSTRIES:4450 WEST 78TH ST CIRCLE, BLOOMINGTON, MN 55435-5416 PH: 800-554-6077 FAX: 952-835-2218 EMAIL: SALES@JLINDUSTRIES.COM WWW.ACTIVARCPG.COM
 ACPG SOUTHEAST (THOMAS ENTERPRISES):FT MYERS, FL ACPG WEST COAST (SAMSON): COMMERCE, CA WAREHOUSES: DALLAS TX, LANCASTER PA, ATLANTA GA, CHICAGO, IL , Seattle WA 9/21/12



- F - Full glass with pull handle
- G - Full glass with pull handle and Saf-T-Lok
- D - Horizontal duo panel with pull handle
- E - Horizontal duo panel with pull handle and Saf-T-Lok
- V - Vertical duo panel with pull handle
- W - Vertical duo panel with pull handle and Saf-T-Lok
- S21 - Solid with pull handle
- L22 - Solid with pull handle and Saf-T-Lok
- B - Solid with pull handle view window and Saf-T-Lok
- Example of door with ADAC recessed handle
- Optional: Vertical duo with ADAC recessed handle
- L24 - Solid with cylinder key lock & no handle

		Trim and Door Material and Series #			Tub I.D.			Door O.D.		Wall Opening: Non Rated			Accommodates Following Extinguishers
QTY	Bronze	QTY	Brass	Trim Style	A	B	C	E	F	W	H	D	
	1845		1855	Flat Trim	10 1/2	24	5 1/2	13 7/8	27 3/8	11 1/2	25	5 3/4	Cosmic & Galaxy 2 1/2-6 Mercury 2 1/2, 5
	1846		1856	1 1/2" Square	10 1/2	24	5 1/2	13 7/8	27 3/8	11 1/2	25	4	
	1847		1857	3" Rolled	10 1/2	24	5 1/2	13 7/8	27 3/8	11 1/2	25	2 5/8	
	1045		1055	Flat Trim	10 1/2	24	6	13 7/8	27 3/8	11 1/2	25	6 1/4	Cosmic & Galaxy 2 1/2-10 Sentinel 5, Mercury 2 1/2, 5
	1046		1056	1 1/2" Square	10 1/2	24	6	13 7/8	27 3/8	11 1/2	25	4 5/8	
	1047		1057	3" Rolled	10 1/2	24	6	13 7/8	27 3/8	11 1/2	25	3 1/8	
	1043		1053	Surf. Mt Square	13 11/16	27 3/16	6 1/2	13 7/8	27 3/8	--	--	--	
	2045		2055	Flat Trim	12	27	7 3/4	15 3/8	30 3/8	13	28	8	Any Cosmic, Galaxy, Mercury, Saturn or Grenadier P, Sentinel 5, 10
	2046		2056	1 1/4" Square	12	27	7 3/4	15 3/8	30 3/8	13	28	6 5/8	
	2043		2053	Surf. Mt Square	15 3/16	30 3/16	8 1/4	15 3/8	30 3/8	--	--	--	



**2046V10
US10B Oil-Rubbed
Finish with
White Colorfill lettering**