

SUBMITTAL: CLEAR VU FIRE EXTINGUISHER CABINETS

Door and Trim Construction: US10 satin bronze, US3 polished brass, clear anodized aluminum, #4 stainless steel or CRS with white powder coat finish. Flush cabinet doors with a 5/8" door stop are attached by a continuous hinge and equipped with zinc-plated handle and roller catch.

Bubble: Acrylic bubble allows 180° extinguisher visibility. 2 1/2" projection for 1500 series, 3 1/2" for 2500 and 4500 series.

Trim Style and Depth: Recessed - 3/8" flat trim, Semi-Recessed - 1 1/4", 1 1/2" Square Edge or 2 1/2", 3", Rolled Edge. Surface-mount has a square edge or optional rolled edge for steel or stainless steel upon request. 1 3/4" face trim on frame and door.

Tub: Constructed of cold rolled steel with white powder-coat finish standard.

Fire-Rated Option Available: Yes- See separate submittal.



STEP 1: SELECT MODEL NUMBER, MATERIAL AND QUANTITY ON CHART (refer to chart below)

- A. Determine Trim Style according to wall depth.
- B. Determine Tub I.D. according to best size for extinguisher and wall opening.

STEP 2: SELECT DOOR STYLE & GLAZING

Door Styles (with handle)		Door Glazing	
<input type="checkbox"/>	F Full Acrylic Glazing	<input type="checkbox"/>	25 Clear Acrylic
<input type="checkbox"/>	G Full Acrylic Glazing & Saf-t-Lok™	<input type="checkbox"/>	26 Red Acrylic
		<input type="checkbox"/>	27 Bronze Acrylic

STEP : OPTIONAL FEATURES AT ADDED COST (SELECT ANY)



<input type="checkbox"/>	Vertical or Horizontal Lettering - View Online	<input type="checkbox"/>	Custom Stainless Finishes # 6, #7, #8 View Online
<input type="checkbox"/>	Futura Embossed "Fire" Handle in ___ Mill ___ White ___ Red	<input type="checkbox"/>	Bronze: US9 Bright Polished, US10B Oil-rubbed Finishes
<input type="checkbox"/>	Optional Color Door/Trim/Tub View Cabinet Colors Online	<input type="checkbox"/>	Brass: US4 Satin Brass Finish View Bronze & Brass Finishes Online
<input type="checkbox"/>	Stainless Steel Tub #4 Satin Finish (Stainless Models) Tub Finishes	<input type="checkbox"/>	Color Anodized Finishes View Online
<input type="checkbox"/>	Aluminum Tub for Alum Cabinets with Mill finish (Non-Rated Use)	<input type="checkbox"/>	Optional Finish Pulls - Bronze, brass, chrome, US10B View Pulls

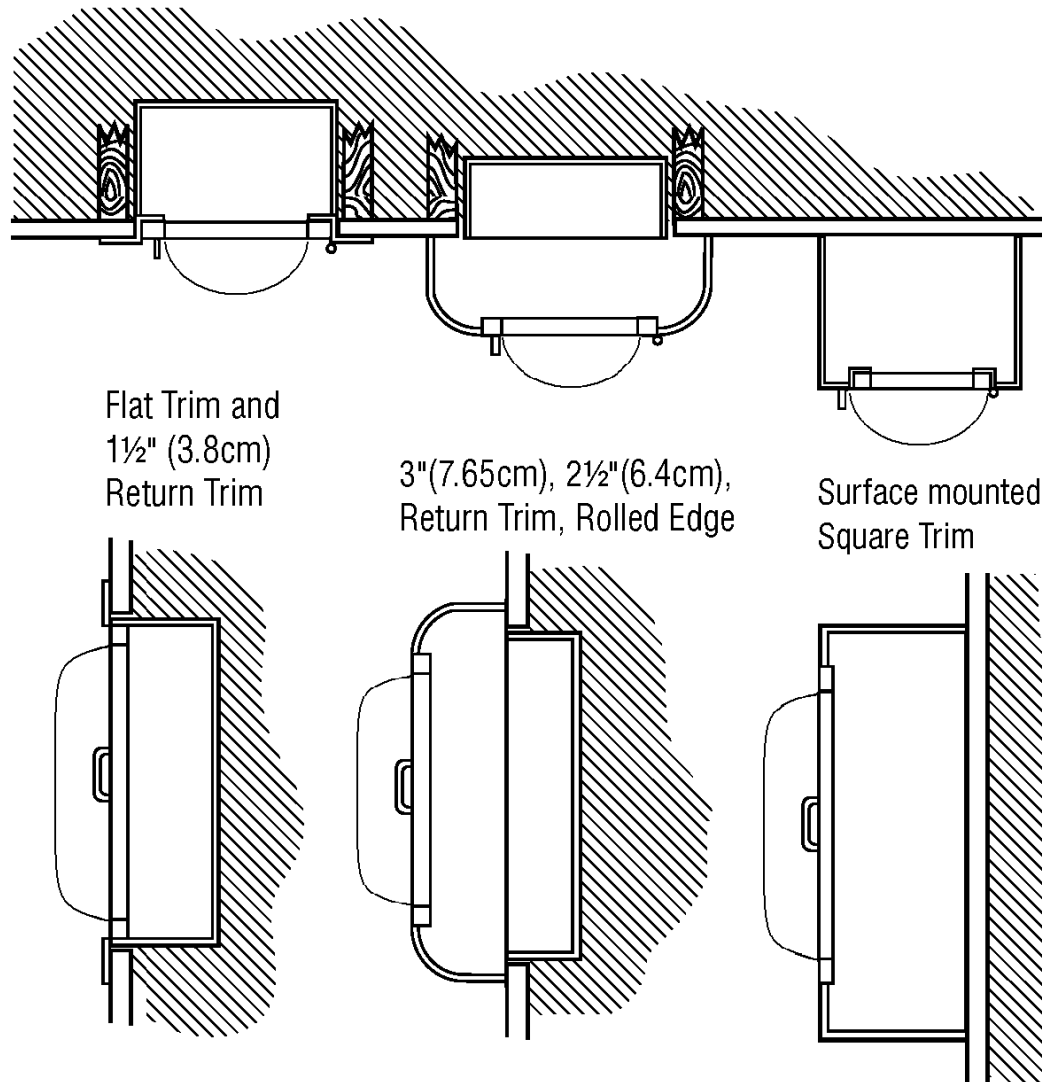
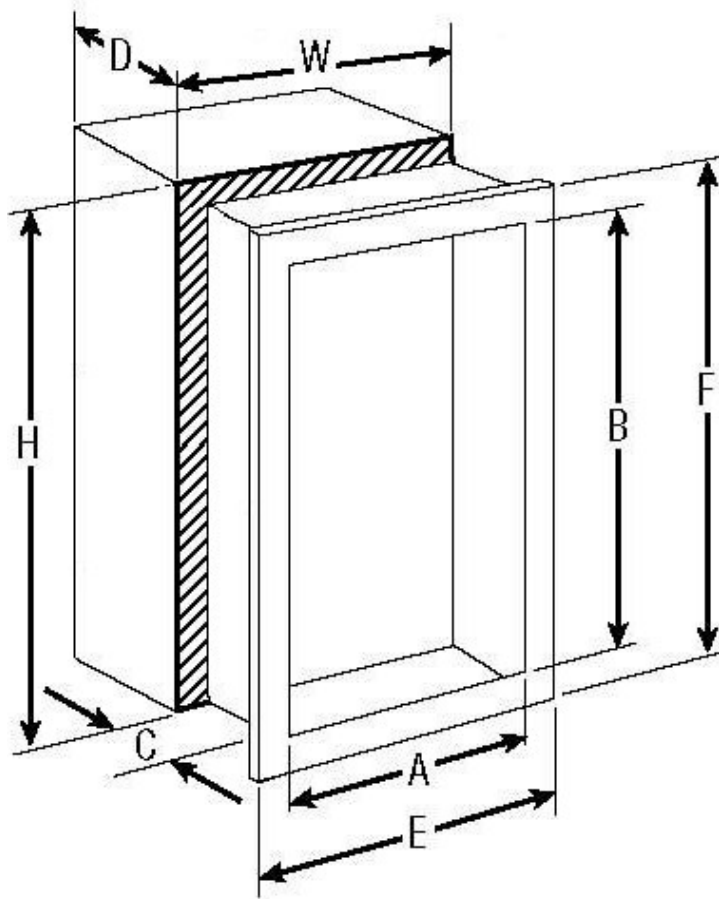
Door Material and Series						Tub ID			Frame OD		Wall Opening Non Rated			Accommodates Following Extinguishers Mounted on the Tub	
Steel	Aluminum	Stainless Steel	Bronze	Brass	Trim Style	A	B	C	E	F	W	H	D		
	1515	1525	1535	1545	1555	Flat trim	10 1/2	24	4	13 7/8	27 3/8	11 1/2	25	4 1/4	Cosmic & Galaxy 2.5-10, Mercury 2.5-5, Sentinel 5
	1516	1526	1536	1546	1556	1 1/2" Square	10 1/2	24	4	13 7/8	27 3/8	11 1/2	25	2 5/8	
	1517	1527	1537	1547	1557	3" Rolled	10 1/2	24	4	13 7/8	27 3/8	11 1/2	25	1 1/8	
	1513	1523	1533	1543	1553	Surface Mounted	13 11/16	27 3/16	4 5/8	13 7/8	27 3/8	--	--	--	Cosmic & Galaxy 2.5-10, Mercury 2.5-15 (FM11A & FM15A), Sentinel 5, Saturn 15
	2515	2525	2535	2545	2555	Flat trim	14	30	4	17 3/8	33 3/8	15	31	4 1/4	
	2516	2526	2536	2546	2556	1 1/4" Square	14	30	4	17 3/8	33 3/8	15	31	2 7/8	
	2517	*2527	2537	--	--	2 1/2" Rolled	14	30	4	17 3/8	33 3/8	15	31	*1 5/8	
	2513	2523	2533	2543	2553	Surface Mounted	17 3/16	33 3/16	4 5/8	17 3/8	33 3/8	--	--	--	2 Each of Cosmic & Galaxy 2.5-10, Mercury 2.5-15 (FM11A & FM15A), Sentinel 5
	4515	4525	4535	--	--	Flat Trim Double Door	28	30	4	31 3/8	33 3/8	29	31	4 1/4	
	4513	4523	4533	--	--	Surf. Mtd. Double Door	31 3/16	33 3/16	4 5/8	31 3/8	33 3/8	--	--	--	

*Add 5/8" to wall depth for a cabinet with an aluminum frame.

Models indicated in blue project 4" or less and meet ADA standards.

[View All Locations Stock List](#)

 JL INDUSTRIES	 www.activarcpg.com	Distributor:	Quantity:
		Contractor:	Approved By:
		Model #:	Architect:
		Project:	Date:
HEADQUARTERS & JL INDUSTRIES: 4450 WEST 78 TH ST CIRCLE, BLOOMINGTON, MN 55435-5416 PH: 800-554-6077 FAX: 952-835-2218 EMAIL: SALES@JLINDUSTRIES.COM WWW.ACTIVARCPG.COM ACPG SOUTHEAST (THOMAS ENTERPRISES): FT MYERS, FL ACPG WEST COAST (SAMSON): COMMERCE, CA WAREHOUSES: DALLAS TX, LANCASTER PA, ATLANTA GA, CHICAGO IL, SEATTLE WA 11/13/2012			



JL INDUSTRIES

ACTIVAR
INC.

www.activarcpg.com

Construction Products Group