

# SUBMITTAL: CLEAR VU FX FIRE-RATED FIRE EXTINGUISHER CABINETS

**Door and Trim Construction:** US10 satin bronze, US3 polished brass, #180 clear anodized aluminum, #4 stainless steel or CRS with white powder coat finish.

Flush cabinet doors with a 5/8" door stop are attached by a continuous hinge and equipped with zinc-plated handle and roller catch.

**Bubble:** Acrylic bubble allows 180° extinguisher visibility. 2 1/2" projection for 1500 series, 3 1/2" for 2500 and 4500 series.

**Trim Style and Depth:** Recessed - 3/8" flat trim, Semi-Recessed - 1 1/4", 1 1/2" Square Edge or 2 1/2", 3", Rolled Edge. 1 3/4" face trim on frame and door.

**Tub:** The double tub is constructed of cold rolled steel with white powder-coat finish standard. Fire-resistant material is sandwiched between the layers of steel.

**Fire-Rating:** The recessed and semi-recessed Fire-FX™ cabinets are fabricated in accordance with the Warnock Hersey label for one and two hour combustible and non-combustible wall system building codes. The fire testing has met the requirement of the UBC standard 43-6 and ASTM-E8814-83 for membrane and penetration firestops. Installation instructions must be strictly adhered to in order to obtain the fire rating. The installation of any fire-rated cabinet which lacks a cabinet door or a condition in which the door is left ajar, will void the fire rating.

**STEP 1: SELECT MODEL NUMBER, MATERIAL AND QUANTITY ON CHART** (refer to chart below)

A. Determine Trim Style according to wall depth.

B. Determine Tub I.D. according to best size for extinguisher and wall opening.



1515F25FX



1537F25FX

**STEP 2: SELECT DOOR STYLE & GLAZING**

**Door Styles (with handle)**

- F Full Acrylic Glazing
- G Full Acrylic Glazing & Saf-t-Lok™

**Door Glazing**

- 25 Clear Acrylic
- 26 Red Acrylic
- 27 Bronze Acrylic

**STEP : OPTIONAL FEATURES AT ADDED COST (SELECT ANY)**

- Vertical or Horizontal Lettering - [View Online](#)
- Futura Embossed "Fire" Handle in \_\_\_ Mill \_\_\_ White \_\_\_ Red
- Stainless Steel Tub #4 Satin Finish (Stainless Models) [Tub Finishes](#)
- Optional Color Door/Trim/Tub [View Cabinet Colors Online](#)
- Optional Finish Pulls - Bronze, brass, chrome, US10B [View Pulls](#)
- Custom Stainless Finishes # 6, #7, #8 [View Online](#)
- Bronze: US9 Bright Polished, US10B Oil-rubbed Finishes
- Brass: US4 Satin Brass Finish [View Bronze & Brass Finishes Online](#)
- Color Anodized Finishes - [View Online](#)

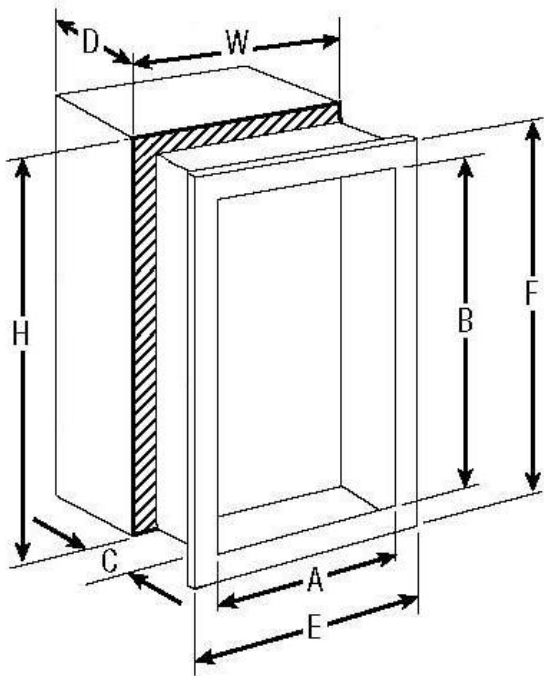
Door Material and Series									Tub ID			Frame OD		Wall Opening FX Option			Accommodates Following Extinguishers Mounted on the Tub
Steel	Aluminum*	Stainless Steel	Bronze	Brass	Trim Style	A	B	C	E	F	W	H	D				
	1515	1525	1535	1545	1555	Flat Trim	10 1/2	24	4	13 7/8	27 3/8	12 1/2	26 1/8	4 7/8	Cosmic & Galaxy 2.5-10, Mercury 2.5-5, Sentinel 5		
	1516	1526	1536	1546	1556	1 1/2" Square	10 1/2	24	4	13 7/8	27 3/8	12 1/2	26 1/8	3 1/2			
	1517	1527	1537	1547	1557	3" Rolled Edge	10 1/2	24	4	13 7/8	27 3/8	12 1/2	26 1/8	2			
	2515	2525	2535	2545	2555	Flat trim	14	30	4	17 3/8	33 3/8	16	32 1/8	4 7/8	Cosmic & Galaxy 2.5-10, Mercury 2.5-15 (FM11A & FM15A), Sentinel 5, Saturn 15		
	2516	2526	2536	2546	2556	1 1/4" Square	14	30	4	17 3/8	33 3/8	16	32 1/8	3 3/4			
	2517	*2527	2537	--	--	2 1/2" Rolled	14	30	4	17 3/8	*33 3/8	16	32 1/8	*2 1/2			
	4515	4525	4535	--	--	Flat Trim Double Door	28	30	4	31 3/8	33 3/8	30	32 1/8	4 7/8	2 Each of : Cosmic & Galaxy 2.5-10, Mercury 2.5-15 (FM11A & FM15A), Sentinel 5		

\*Add 5/8" to wall depth for a cabinet with an aluminum frame. Models indicated in blue project 4" or less and meet ADA standards.

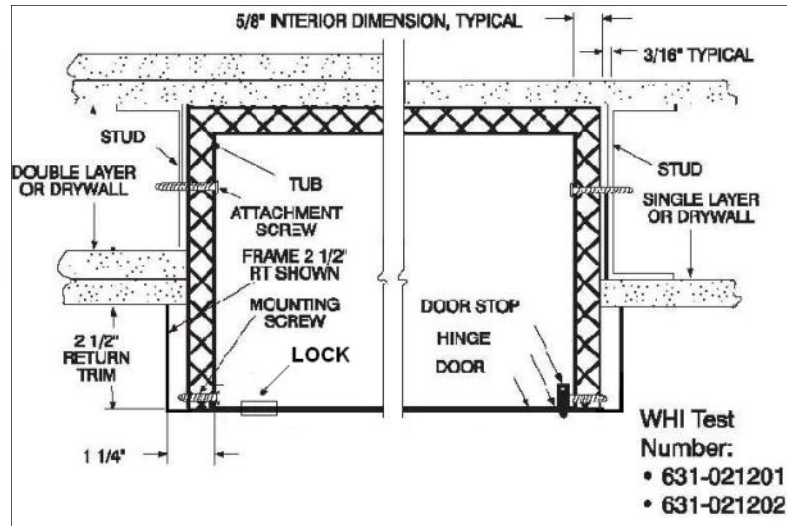
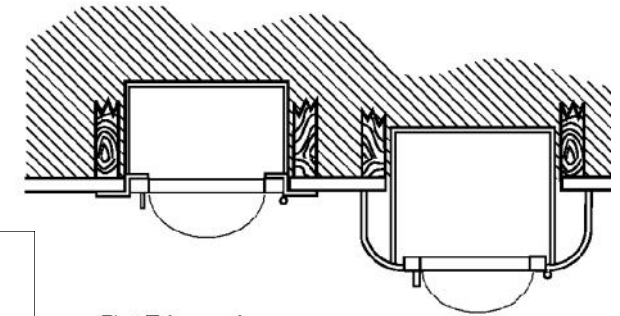
[View All Locations Stock List](#)

 <b>ACTIVAR</b> INC. <small>www.activarcpg.com</small> Construction Products Group	Distributor:	Quantity:
	Contractor:	Approved By:
	Model #:	Architect:
	Project:	Date:

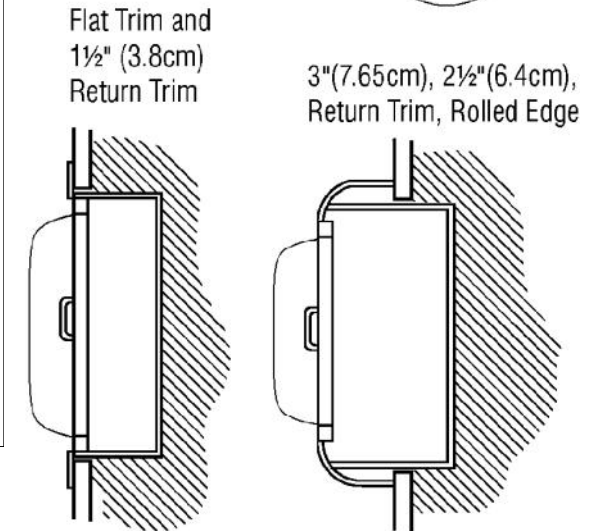
HEADQUARTERS & JL INDUSTRIES: 4450 WEST 78<sup>TH</sup> ST CIRCLE, BLOOMINGTON, MN 55435-5416 PH: 800-554-6077 FAX: 952-835-2218 EMAIL: SALES@JLINDUSTRIES.COM WWW.ACTIVARCPG.COM  
 ACPG SOUTHEAST (THOMAS ENTERPRISES): FT MYERS, FL ACPG WEST COAST (SAMSON): COMMERCE, CA WAREHOUSES: DALLAS TX, LANCASTER PA, ATLANTA GA, CHICAGO, IL, SEATTLE WA 11/13/2012



Top View of Cabinet



Side View of Cabinet



**Fire-Rating:** The recessed and semi-recessed Fire-FX™ cabinets are fabricated in accordance with the Warnock Hersey label for one and two hour combustible and non-combustible wall system building codes. The fire testing has met the requirement of the UBC standard 43-6 and ASTM-8814-83 for membrane and penetration firestops. Installation instructions must be strictly adhered to in order to obtain the fire rating. The installation of any fire-rated cabinet which lacks a cabinet door or a condition in which the door is left ajar, will void the fire rating.

