

# SUBMITTAL: PANORAMA STEEL FIRE EXTINGUISHER CABINETS

The Panorama Cabinet Features a Frameless Acrylic Door of Clear or Opaque Textured Acrylic with Many Lettering Options.

**Door & Trim Construction:** Flush acrylic cabinet doors are attached by a continuous hinge and equipped with zinc-plated handle and roller catch. 1-3/4" trim on cabinet has white powder coat finish.

**Trim Style & Depth:** Recessed 3/8" flat trim, Recessed Trimless (install before drywall), Semi Recessed - 1-1/4", 1-1/2" Square Edge or 2-1/2", 3", 4", 4-1/2" Rolled Edge (4" has recessed ADAC pull). Surface-mount models have a square edge or optional rolled edge upon request.

**Tub:** The tub is constructed of cold rolled steel with white powder-coat finish standard.

**Fire-Rated Option Available:** Yes - See separate Submittal Form.

**STEP 1: SELECT MODEL NUMBER, MATERIAL AND QUANTITY ON CHART** (refer to chart on pg 2)

- A. Determine Trim Style according to wall depth.
- B. Determine Tub I.D. according to size most suited for extinguisher and wall opening.

**STEP 2: SELECT DOOR ACRYLIC WITH HANDLE** (Check one box below)

- |   |   |
|---|---|
| <input type="checkbox"/> C70 Clear 3/16" Unlettered Smooth Acrylic              | <input type="checkbox"/> P Identity: 3/16" Textured Obscure Acrylic with Lettering              |
| <input type="checkbox"/> C71 Clear 3/16" Unlettered Smooth Acrylic & Saf-T-Lok™ | <input type="checkbox"/> Q Identity: 3/16" Textured Obscure Acrylic with Lettering & Saf-T-Lok™ |

**STEP 3 - P&Q DOORS SELECT LETTERING STYLE** View lettering styles on page 2 or: [VIEW LETTERING STYLES](#)

40 Vert, Black Bkgd, White Lettering	45 Horiz, Black Bkgd, White Lettering	50 Ascend, Black Bkgd, White Lettering
41 Vert, Red Bkgd, White Lettering	46 Horiz, Red Bkgd, White Lettering	51 Ascend, Red Bkgd, White Lettering
42 Vert, White Bkgd, Black Lettering	47 Horiz, White Bkgd, Black Lettering	52 Ascend, White Bkgd, Black Lettering
43 Vert, White Bkgd, Red Lettering	48 Horiz, White Bkgd, Red Lettering	53 Ascend, White Bkgd, Red Lettering

**STEP 4: OPTIONAL FEATURES AT ADDED COST (SELECT ANY)**

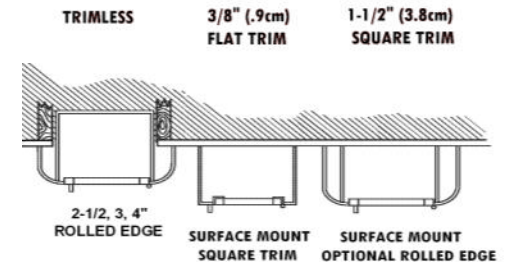
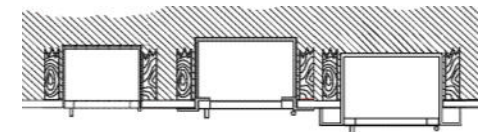
- |   |  |
|---|--|
| <input type="checkbox"/> Futura "Fire" Handle ___ Mill Aluminum (PUF) ___ Red ___ White | <input type="checkbox"/> (CA) Commander Alarm                  |
| <input type="checkbox"/> ADAC Flush Pull Handle   | <input type="checkbox"/> (BA) Brigadier Alarm                  |
| <input type="checkbox"/> Polished Chrome Lever Handle (P6)                              | <input type="checkbox"/> (SA) Strobe Alarm (Surf Mtd Models)   |
| <input type="checkbox"/> Optional Color: ___ Red ___ Black ___ Flat Black               | <input type="checkbox"/> Optional Tub Color: ___ Black ___ Red |
| <input type="checkbox"/> ___ Sand ___ AMS Beige ___ SC Flat Beige                       | <input type="checkbox"/> Rolled Edge Surface Mount             |
| <input type="checkbox"/> ___ Gray Primer ___ Bronze ___ Silver                          |  |



For More Information on Options See Other Submittals: [Decals/Die Cuts](#) & Wall Signs, [Handles & Levers](#).



1012P48  
4" Rolled Trim  
Semi-Recessed  
With ADAC Handle  
Standard

1817Q51  
3" Rolled Trim  
Semi-Recessed

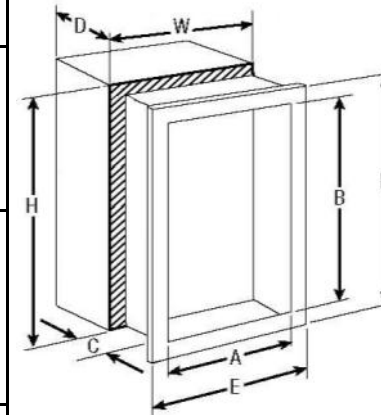


 	Distributor:	Quantity:
	Contractor:	Approved By:
	Model #:	Architect:
	Project:	Date:

HEADQUARTERS & CUSTOMER SERVICE: 4450 WEST 78<sup>TH</sup> ST CIRCLE, BLOOMINGTON, MN 55435-5416 PH: 800-554-6077 FAX: 952-835-2218 EMAIL: SALES@JLINDUSTRIES.COM [WWW.ACTIVARCPG.COM](http://WWW.ACTIVARCPG.COM)  
 ACPG SOUTHEAST (THOMAS ENTERPRISES): FT MYERS, FL ACPG WEST COAST (SAMSON): COMMERCE, CA WAREHOUSES: DALLAS TX, LANCASTER PA, ATLANTA GA, CHICAGO, IL, SEATTLE WA 9-18-2012

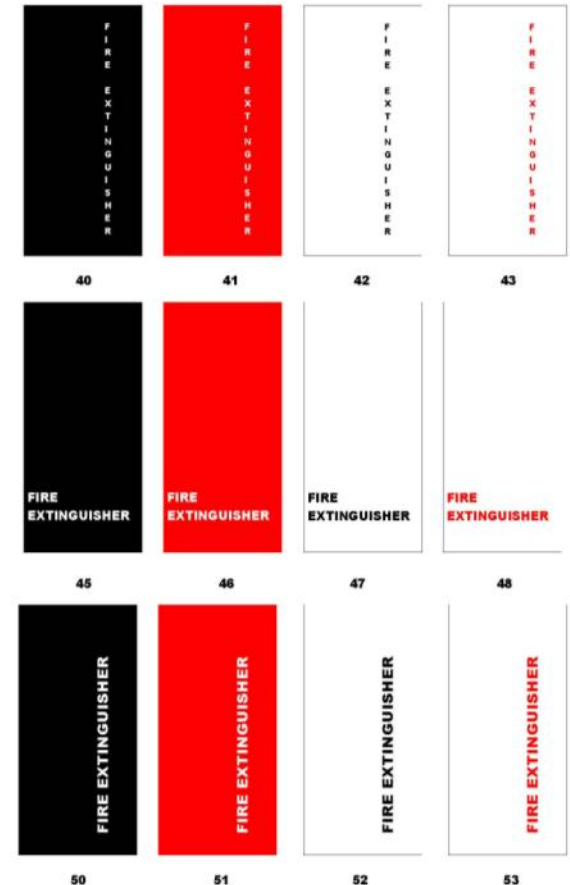
# SUBMITTAL: PANORAMA STEEL FIRE EXTINGUISHER CABINETS

TRIM & DOOR SERIES #			Tub I.D.			Frame O.D.		Wall Opening			Extinguisher
QTY	Model	Trim Style (in)	A	B	C	E	F	W	H	D	
	<b>8114</b>	Trimless	9	18	5 1/2	9 1/4	18 1/4	9 1/2	18 1/2	5 3/4	Cosmic & Galaxy 2 1/2-6, Mercury 2 1/2- 5
	<b>8115</b>	Flat trim	9	18	5 1/2	12 3/8	21 3/8	10	19	5 1/2	
	<b>8116</b>	1 1/2 Square	9	18	5 1/2	12 3/8	21 3/8	10	19	4	
	<b>8117</b>	2 1/2 Rolled	9	18	5 1/2	12 3/8	21 3/8	10	19	3 1/8	
	<b>8113</b>	Surf. Mtd Sq	12 3/16	21 3/16	6	12 3/8	21 3/8	--	--	--	
	<b>1815</b>	Flat trim	10 1/2	24	5 1/2	13 7/8	27 3/8	11 1/2	25	5 3/4	Cosmic & Galaxy 2 1/2-10 (10 lb must be hung on back of tub) Mercury 2 1/2-5
	<b>1816</b>	1 1/2 Square	10 1/2	24	5 1/2	13 7/8	27 3/8	11 1/2	25	4	
	<b>1817</b>	3 Rolled	10 1/2	24	5 1/2	13 7/8	27 3/8	11 1/2	25	2 5/8	
	<b>1812</b>	4 Rolled/ADA Pull	10 1/2	24	5 1/2	13 7/8	27 3/8	11 1/2	25	1 5/8	
	<b>1818</b>	4 1/2 Rolled	10 1/2	24	5 1/2	13 7/8	27 3/8	11 1/2	25	1 1/8	
	<b>1014</b>	Trimless	10 1/2	24	6	10 3/4	24 1/4	11	24 1/2	6 1/4	Cosmic & Galaxy 2 1/2-10 Mercury 2 1/2-5 , Sentinel 5
	<b>1015</b>	Flat trim	10 1/2	24	6	13 7/8	27 3/8	11 1/2	25	6 1/4	
	<b>1016</b>	1 1/2 Square	10 1/2	24	6	13 7/8	27 3/8	11 1/2	25	4 5/8	
	<b>1017</b>	3 Rolled	10 1/2	24	6	13 7/8	27 3/8	11 1/2	25	3 1/8	
	<b>1012</b>	4 Rolled/ADA Pull	10 1/2	24	6	13 7/8	27 3/8	11 1/2	25	2 1/8	
	<b>1018</b>	4 1/2 Rolled	10 1/2	24	6	13 7/8	27 3/8	11 1/2	25	1 5/8	
	<b>1013</b>	Surf Mtd. Sq	13 11/16	27 3/16	6 1/2	13 7/8	27 3/8	--	--	--	
	<b>2014</b>	Trimless	12	27	7 3/4	12 1/4	27 1/4	12 1/2	27 1/2	8	Any Cosmic**, Gal- axy**, Mercury, Saturn or Grenadier P, Sentinel 5 & 10
	<b>2015</b>	Flat trim	12	27	7 3/4	15 3/8	30 3/8	13	28	8	
	<b>2016</b>	1 1/4 Square	12	27	7 3/4	15 3/8	30 3/8	13	28	6 3/4	
	<b>2017</b>	2 1/2 Rolled	12	27	7 3/4	15 3/8	30 3/8	13	28	5 1/2	
	<b>2012</b>	4 Rolled/ADA Pull	12	27	7 3/4	15 3/8	30 3/8	13	28	4	
	<b>2018</b>	4 1/2 Rolled	12	27	7 3/4	15 3/8	30 3/8	13	28	3 1/2	
	<b>2013</b>	Surf Mtd. Sq	15 3/16	30 3/16	8 1/4	15 3/8	30 3/8	--	--	--	
	<b>3015</b>	Flat trim	16	32	7 3/4	19 3/8	35 3/8	17	33	8	Two each of: any Cosmic**, Galaxy**, Mercury, Saturn or Grenadier P, Sentinel 5
	<b>3016</b>	1 1/4 Square	16	32	7 3/4	19 3/8	35 3/8	17	33	6 3/4	
	<b>3017</b>	2 1/2 Rolled	16	32	7 3/4	19 3/8	35 3/8	17	33	5 1/2	
	<b>3012</b>	4 Rolled/ADA Pull	16	32	7 3/4	19 3/8	35 3/8	17	33	4	
	<b>3018</b>	4 1/2 Rolled	16	32	7 3/4	19 3/8	35 3/8	17	33	3 1/2	
	<b>3013</b>	Surf Mtd. Sq	19 3/16	35 3/16	8 1/4	19 3/8	35 3/8	--	--	--	
	<b>4015</b>	Flat trim	20	27	7 3/4	23 3/8	30 3/8	21	28	8	Two each of: any Cos- mic**, any Galaxy**, Grenadier P, Sentinel 5, 10, any Mercury, any Saturn, 272
	<b>4016</b>	1 1/4 Square	20	27	7 3/4	23 3/8	30 3/8	21	28	6 3/4	
	<b>4017</b>	2 1/2 Rolled	20	27	7 3/4	23 3/8	30 3/8	21	28	5 1/2	
	<b>4012</b>	4 Rolled/ADA Pull	20	27	7 3/4	23 3/8	30 3/8	21	28	4	
	<b>4018</b>	4 1/2 Rolled	20	27	7 3/4	23 3/8	30 3/8	21	28	3 1/2	
	<b>4013</b>	Surf Mtd. Sq	23 3/16	30 3/16	8 1/4	23 3/8	30 3/8	--	--	--	



PANORAMA "P" & "Q" DOOR GLAZING STYLES

1016C70



Models shown in **Large Bold** above are available in several door styles for Quick Shipment. [See current Stock List.](#)

\*\* Cosmic 20 & Galaxy 20 Extinguisher must be mounted on the back of the cabinet tub