

SUBMITTAL: SECURITY/DETENTION FIRE EXTINGUISHER CABINETS

JL security and detention cabinets for fire extinguishers, fire hoses or fire department valves are constructed to meet maximum security requirements in areas where fire protection is required. All recessed models have heavy-duty masonry anchors welded to the frame.

Door & Trim: 12 gauge (0.27 cm) steel or 14 gauge #4 satin finish stainless door. Flush cabinet doors are mounted in a 5/8" door stop and attached by a heavy-duty continuous hinge. Non-rated cabinets have 1-1/2" face trim on frame.

Trim Style & Depth: 1-1/2" trim on frame. Available in *Recessed* with flat trim, *Semi-recessed* with 2-1/2" square trim or *Surface-mount* model with square edge.

Tub: Steel models have 14 gauge steel with white powder coat primer finish. Stainless steel models have 14 gauge stainless tub. Heavy duty masonry anchors provided on recessed & semi recessed models

Lock Prep: Detention deadlock, detention slam lock or mortise cylinder. Select Below. Lock prep selected affects cabinet ID.

Fire-Rated: This cabinet is available as fire-rated. See the Security FX Cabinet Submittal.



SELECT:

Door & Trim Materials:

- Cold Rolled Steel with White Powder-Primer - 12 gauge.
- Stainless Steel - 14 gauge # 4 Satin Finish. This model features stainless steel door, trim and tub.

Lock Prep:



- (DDP) Detention Deadlock Prep. (lock by others)
- (DSP) Detention Slam Lock Prep. (lock by others) Specify Type: _____
- (MP) Mortise Cylinder Cam Prep. (lock by others) Specify Type: _____

OPTIONS AT ADDITIONAL COST:

- Flush Cup Pull (ADAC)
- Red Powder Coat Finish for Steel Cabinets
- Red Fire Extinguisher Lettering
- Black Fire Extinguisher Lettering
- Duo Panel Door with Polycarbonate Glazing
- Stainless Steel - 12 gauge # 4 Satin Finish. This model features stainless steel door, trim and tub.

LOCK OPTIONS AT ADDITIONAL COST: See Separate Data Sheet for Details.

- (MDP) Mortise Deadbolt Prep. (lock by others) Specify Type: _____
- Mortise Cylinder Cam Lock Installed : (MP-SL-AMP) or (MP-SL-1E74)
- Mortise Deadbolt Installed: (MDP-SL-AMP) or (MDP-SL-1E74)
- (DDI5010) Detention Deadlock Installed
- (DDI5017) Detention Slam Lock Installed

 <p>JL INDUSTRIES</p>  <p>ACTIVAR INC. Construction Products Group</p> <p><small>www.activarcpg.com</small></p>	Distributor:	Quantity:
	Contractor:	Approved By:
	Model #:	Architect:
	Project:	Date:
<p>HEADQUARTERS & JL INDUSTRIES: 4450 WEST 78TH ST CIRCLE, BLOOMINGTON, MN 55435-5416 PH: 800-554-6077 FAX: 952-835-2218 EMAIL: SALES@JLINDUSTRIES.COM WWW.ACTIVARCPG.COM ACPG</p> <p>SOUTHEAST (THOMAS ENTERPRISES): FT MYERS, FL ACPG WEST COAST (SAMSON): COMMERCE, CA WAREHOUSES: DALLAS TX, LANCASTER PA, ATLANTA GA, CHICAGO IL, SEATTLE WA 4/24/13</p>		

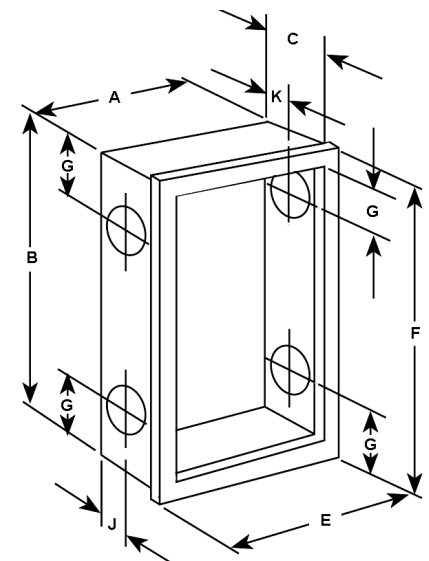
		TRIM & DOOR MATERIAL & SERIES			TUB I.D. W x H x D in Inches			FRAME O.D. W x H in Inches		WALL OPENING			K.O. LOCATIONS		APPROX SHIP WT	RECOMMENDED HOSE, RACK & EXTINGUISHER
QTY	STEEL	QTY	STAINLESS	TRIM STYLE	A	B	C	E	F	Width	Height	Depth	J	G	LBS	
SECURITY FIRE EXTINGUISHER CABINETS (SFC)																
	SFC-11		SSFC-31	Flat Trim	10-1/2	24	6-1/2	12-1/2	26	11-1/2	25	7	--	--	25	Cosmic & Galaxy 2.5-10, Mercury 2.5-5, Sentinel 5*
	SFC-12		SSFC-32	2-1/2" Square Trim	10-1/2	24	6-1/2	12-1/2	26	11-1/2	25	4-1/2	--	--	26	
	SFC-13		SSFC-33	Surface Mount Sq.	13	26-1/2	8	13	26-1/2	--	--	--	--	--	26	
	SFC-15		SSFC-35	Flat Trim	12	27	8-1/2	14	29	13	28	9	--	--	33	Any Cosmic, Galaxy, Mercury, Saturn 15, Sentinel 5*
	SFC-16		SSFC-36	2-1/2" Square Trim	12	27	8-1/2	14	29	13	28	6-1/2	--	--	34	
	SFC-17		SSFC-37	Surface Mount Sq.	14-1/2	29-1/2	10	14-1/2	29-1/2	--	--	--	--	--	34	
SECURITY VALVE CABINETS (SVC)																
	SVC-11		SSVC-31	Flat Trim	18	18	8-1/2	20	20	19	19	9	5	5	32	1-1/2" or 2-1/2" Fire Department Valve
	SVC-12		SSVC-32	2-1/2" Square Trim	18	18	8-1/2	20	20	19	19	6-1/2	4-1/4	4-1/4	33	
	SVC-13		SSVC-33	Surface Mount Sq.	20-1/2	20-1/2	10	20-1/2	20-1/2	--	--	--	--	--	33	
SECURITY HOSE CABINETS (SHC)																
	SHC-11		SSHC-31	Flat Trim	32-3/4	34-3/4	8	34-3/4	36-3/4	33-3/4	35-3/4	8-1/2	4	4	88	1-1/2" or 2-1/2" Hose Rack, & Extinguisher, or F. D. Valve & Extinguisher*
	SHC-12		SSHC-32	2-1/2" Square Trim	32-3/4	34-3/4	8	34-3/4	36-3/4	33-3/4	35-3/4	6	4	4	95	
	SHC-13		SSHC-33	Surface Mount Sq.	36-3/4	38-3/4	8	36-3/4	38-3/4	--	--	--	--	--	104	



SHC-11 With Optional ADA Pull



SVC-13 With Optional Color



* Please note that the depth of the lock prep selected may not allow all extinguishers listed to fit into the cabinet..