

## SUBMITTAL: FX-OPTION SECURITY/DETENTION FIRE EXTINGUISHER CABINETS

JL security and detention cabinets for fire extinguishers, fire hoses or fire department valves are constructed to meet maximum security requirements in areas where fire protection is required. All recessed models have heavy-duty masonry anchors welded to the frame.

**Door & Trim:** 12 gauge (0.27 cm) steel or 14 gauge #4 satin finish stainless door. Flush cabinet doors are mounted in a 5/8" door stop and attached by a heavy-duty continuous hinge. Fire-rated cabinets have 2" face trim.

**Trim Style & Depth:** 2" trim on frame. Available in *Recessed* with flat trim and *Semi-recessed* with 2-1/2" square trim

**Tub:** The double tub steel cabinets is constructed of 14 gauge cold rolled steel inside liner with white powder-coat finish standard. Fire-resistant material is sandwiched between the layers of steel. Heavy duty masonry anchors provided on recessed & semi recessed models

**Lock Prep:** Detention deadlock, detention slam lock or mortise cylinder. Select below. Lock prep selected affects cabinet ID.

**Knockouts:** Knockouts are not provided on Fire-Rated Cabinets. Instructions for Knockouts in the field are provided and must be strictly adhered to, to maintain fire rating.

**Fire-Rating:** The recessed and semi-recessed Fire-FX™ cabinets are fabricated in accordance with the Warnock Hersey label for one and two hour combustible and non-combustible wall system building codes. The fire testing has met the requirement of the UBC standard 43-6 and ASTM-E814-83 for membrane and penetration firestops. Installation instructions must be strictly adhered to in order to obtain the fire rating. The installation of any fire-rated cabinet which lacks a cabinet door or a condition in which the door is left ajar, will void the fire rating.



SFC-11 FX

**Lock Prep Select 1 Below:**

- (DDP) Detention Deadlock Prep. (lock by others)
- (DSP) Detention Slam Lock Prep. (lock by others) Specify Type: \_\_\_\_\_
- (MP) Mortise Cylinder Cam Prep. (lock by others) Specify Type: \_\_\_\_\_



[View Lock Options Here](#)

**LOCK OPTIONS AT ADDITIONAL COST: See Separate Data Sheet with Details.**

- (MDP) Mortise Deadbolt Prep. (lock by others) Specify Type: \_\_\_\_\_
- Mortise Cylinder Cam Lock Installed :  (MP-SL-AMP) or  (MP-SL-1E74)
- Mortise Deadbolt Installed:  (MDP-SL-AMP) or  (MDP-SL-1E74)
- (DDI5010) Detention Deadlock Installed
- (DDI5017) Detention Slam Lock Installed

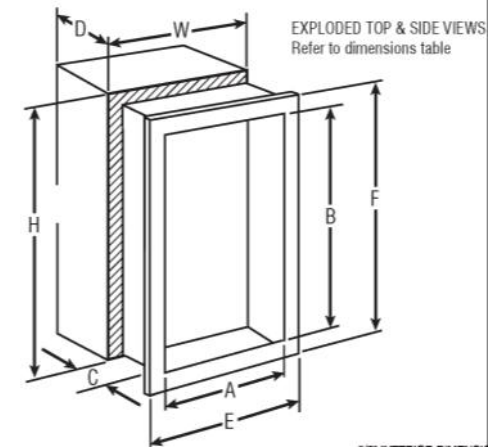
**OPTIONS AT ADDITIONAL COST:**

- Flush Cup Pull (ADAC)
- Red Powder Coat Finish for Steel Cabinets
- Red Fire Extinguisher Lettering
- Black Fire Extinguisher Lettering
- Duo Panel Door with Polycarbonate Glazing
- Custom Door Configuration

 <b>JL INDUSTRIES</b>	 <b>ACTIVAR</b> <small>INC.</small> Construction Products Group <small>www.activarcpg.com</small>	Distributor:	Quantity:
		Contractor:	Approved By:
		Model #:	Architect:
		Project:	Date:

**HEADQUARTERS & JL INDUSTRIES:** 4450 WEST 78<sup>TH</sup> ST CIRCLE, BLOOMINGTON, MN 55435-5416 **PH:** 800-554-6077 **FAX:** 952-835-2218 **EMAIL:** SALES@JLINDUSTRIES.COM WWW.ACTIVARCPG.COM **ACPG SOUTHEAST (THOMAS ENTERPRISES):** FT MYERS, FL **ACPG WEST COAST (SAMSON):** COMMERCE, CA **WAREHOUSES:** DALLAS TX, LANCASTER PA, ATLANTA GA, SEATTLE WA, CHICAGO IL 4/24/13

TRIM & DOOR MATERIAL & SERIES		TUB I.D. W x H x D in Inches			FRAME O.D. W x H in Inches		WALL OPENING FIRE RATED FX OPTION			APPROX SHIP WT	RECOMMENDED HOSE, RACK & EXTINGUISHER			
QTY	STEEL	QTY	STAINLESS	TRIM STYLE	A	B	C	E	F	W		H	D	LBS
<b>SECURITY FIRE EXTINGUISHER CABINETS (SFC)</b>														
	SFC-11 FX		SSFC-31 FX	Flat Trim	10-1/2	24	6-1/2	13-1/2	27	12-1/2	26-1/2	7-1/2	41	Cosmic & Galaxy 2.5-10, Mercury 2.5-5, Sentinel 5*
	SFC-12 FX		SSFC-32 FX	2-1/2" Square Trim	10-1/2	24	6-1/2	13-1/2	27	12-1/2	26-1/2	5	45	
	SFC-15 FX		SSFC-35 FX	Flat Trim	12	27	8-1/2	15	30	14	29-1/2	9-1/2	54	Any Cosmic, Galaxy, Mercury, Saturn 15, Sentinel 5*
	SFC-16 FX		SSFC-36 FX	2-1/2" Square Trim	12	27	8-1/2	15	30	14	29-1/2	7	56	
<b>SECURITY VALVE CABINETS (SVC)</b>														
	SVC-11 FX		SSVC-31 FX	Flat Trim	18	18	8-1/2	21	21	20	20-1/2	9-1/2	53	1-1/2" or 2-1/2" Fire Department Valve
	SVC-12 FX		SSVC-32 FX	2-1/2" Square Trim	18	18	8-1/2	21	21	20	20-1/2	7	54	
<b>SECURITY HOSE CABINETS (SHC)</b>														
	SHC-11 FX		SSHC-31 FX	Flat Trim	32-3/4	34-3/4	8	35-3/4	37-3/4	34-3/4	36-3/4	9	132	1-1/2" or 2-1/2" Hose Rack, & Extinguisher, or F. D. Valve & Extinguisher*
	SHC-12 FX		SSHC-32 FX	2-1/2" Square Trim	32-3/4	34-3/4	9	35-3/4	37-3/4	34-3/4	36-3/4	6-1/2	157	



Double Tub Construction of JL's Fire-Rated Cabinets

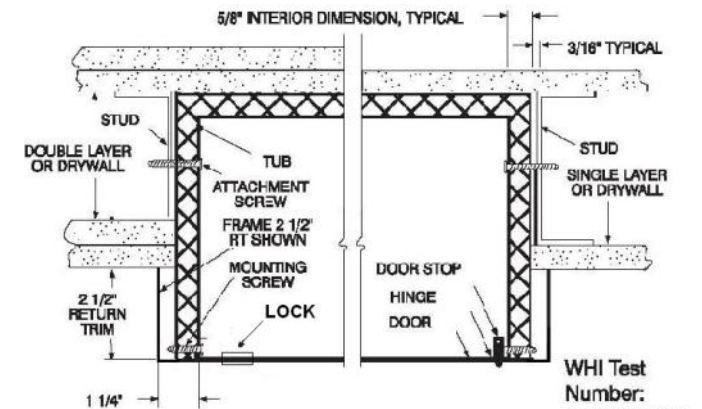
\* Please note that the depth of the lock prep selected may not allow all extinguishers listed to fit into the cabinet..



SHC-12FX With Optional View Window & ADA Pull



SSVC-32FX



WHI Test Number:  
• 631-Q21201  
• 631-Q21202